

Architectural Speaker

Product Overview

The KEF Ci160CSds is a premium high-performance dual stereo speaker designed for in-ceiling and flush mount installations where a single square shaped speaker assembly is preferred. The dual stereo design allows the speaker to accept both left and right channel inputs ensuring it delivers the complete stereo soundtrack. The speaker features a dual voice coil 160mm low frequency woofer and an asymmetrical tweeter island housing two 19mm aluminium dome tweeters with KEF's proprietary Tangerine Waveguides that further enhance dispersion for smooth and consistent coverage across a wide listening area. The KEF Ci160CSds is constructed using water resistant components and the square shaped Ultra-Thin Bezel and grille are treated with a UV resistant protective finish making the speaker ideal for high fidelity applications in areas such as bathrooms.

Key Features

Dual Stereo Design – A dual voice coil woofer and two discrete tweeters are capable of reproducing both left and right input signals in one assembly eliminates the need to install additional speakers.

Asymmetrical Tweeter Island – The centre mounted dual tweeter island optimizes the angle of each tweeter to create separation and improve dispersion across a wider listening area.

Tangerine Waveguide – In addition to protecting the tweeters, the Tangerine Waveguide further enhances dispersion allowing for 120 degrees of coverage.

Weather Resistant – Manufactured using a proprietary plating and powder coating process, the KEF Ci160CSds is UV protected and designed to withstand the harshest operating environments.

Ultra-Thin Bezel (UTB) – To maintain a premium aesthetic appearance, the carefully engineered ABS bezel is designed to be as thin as possible while maintaining the necessary structural rigidity.

Magnetic Grille – For security and ease of installation the grille attaches by a powerful magnetic circuit and can be painted to match any décor.

Covered Crossover Circuit – The cover adds structural rigidity to the speaker assembly while protecting the electrical crossover components from potential damage.

Universal cut-out – All KEF 160mm square speakers require the same cut-out dimensions for ease of installation and flexible component selection.



IP64 Certification – The speaker passed official IEC testing to ensure that splashing water would have no harmful effects on assembly components.

Architect and Engineer Specifications

The speaker shall be designed for in-ceiling flush mount installations and utilise a single dual stereo speaker assembly with an asymmetrical tweeter island mounted in the center of the low frequency woofer. The drivers shall be mounted in a square shaped assembly and be secured into the installation surface by means of a screw down clamping system.

The speaker shall consist of a dual voice coil 160mm low frequency woofer and an asymmetrical tweeter island containing two 19mm aluminium dome high frequency tweeters each featuring a waveguide for improved dispersion. The baffle shall be made of ABS and feature a paintable bezel of no more than 5mm in width. The grille shall also be paintable, include a paint shield, and attach by a powerful magnetic circuit for ease of installation and security. The speaker shall be constructed of moisture resistant materials and be certified to comply with IP64 standards. It shall be an open back design, be available with a rough in frame kit, and deliver a minimum frequency response of 50Hz-20kHz +/-6dB. The speaker assembly shall be square and measure no more than 225mm (H) x 225mm (W) x 91mm (D) and have a maximum weight that is not to exceed 1.8kg.

The nominal impedance of the speaker shall be 8 ohms and achieve a minimum pressure sensitivity of 91dB SPL at 1 meter on-axis with an input of 2.83 volts. The crossover frequency between the woofer and tweeters shall be 3.2kHz. The speaker shall meet numerous safety and performance standards listed by regulatory bodies around the world.

The speaker shall be the KEF Ci160CSds.

Ci160CSds



Architectural Speaker

Specifications

Model	Ci160CSds
Series	C Series
Nominal impedance	8Ω
Sensitivity (2.83V/1m)	91dB
Frequency response (±6dB) open-backed	50Hz - 20kHz
Frequency range (-10dB)	45Hz - 30kHz
Nominal coverage	120°
Max SPL	106dB
Crossover frequency	3.2kHz
Drive units	LF 160 mm (6.5 in.) Dual voice coil HF 2 x 19 mm (0.75 in.)
Recommended amplifier power	10 - 80 W
Recommended high-pass filter (Hz)	50Hz
Product external dimensions (H x W x D)	223 x 223 x 90.5 mm (8.78 x 8.78 x 3.56 in.)
Cut-out dimensions (H x W)	194 x 194 mm (7.64 x 7.64 in.)
Net weight	1.80 kg (4.0 lbs.)
Mounting depth from surface	84.5 mm (3.33 in.)
Optional rough in frame	RIF160S
Optional rear enclosure	RNC160S
Ideal Rear Volume (L)	35L
Minimum Rear Volume (L)	20L
Certification	IP64

Visit [KEF.COM](https://www.kef.com) for more about KEF and its products.

KEF reserves the right, in line with continuing research and development, to amend or change specifications. E&OE.

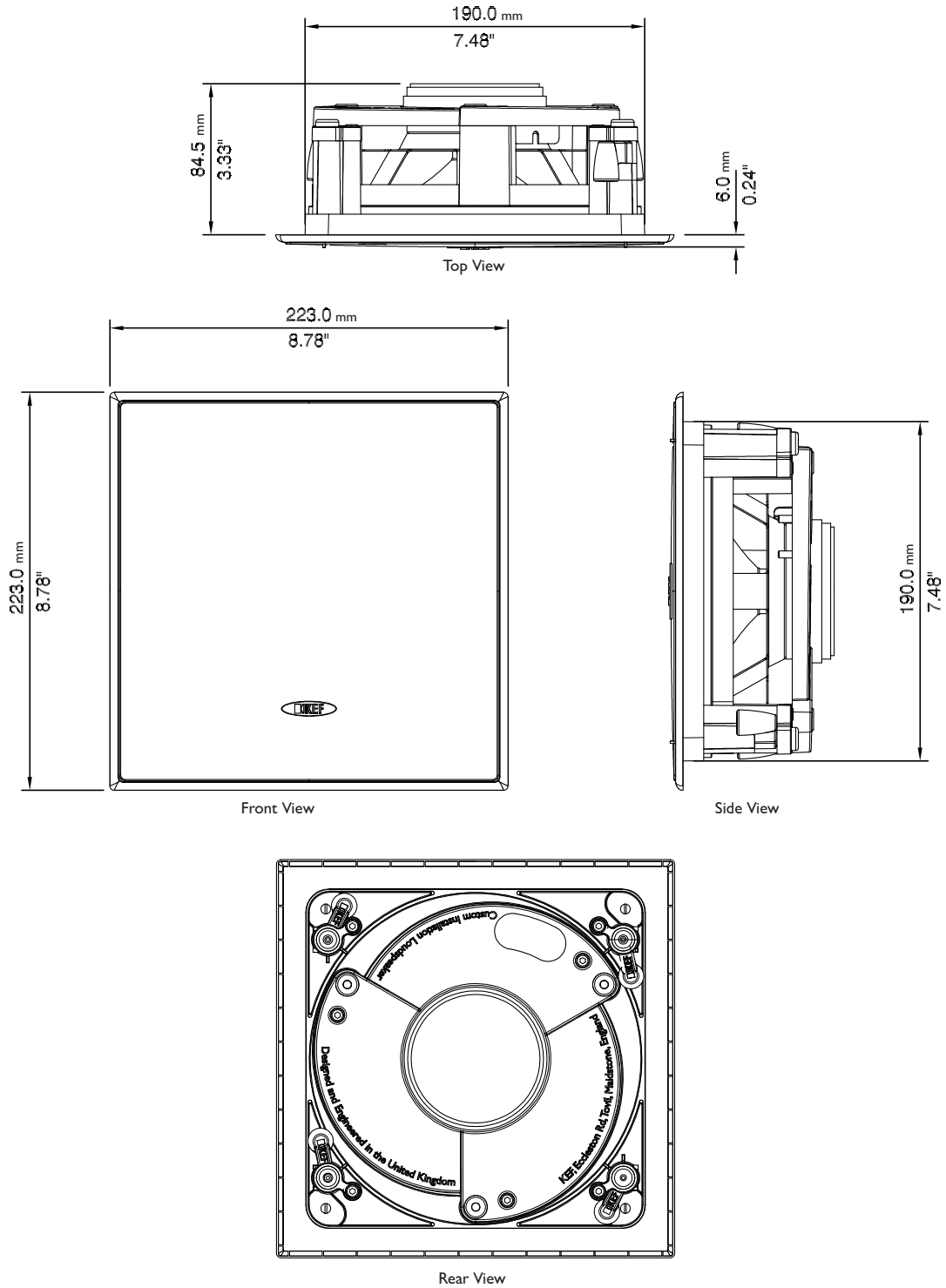
The Ci speakers that utilise THX in the model name have undergone and passed certified THX approval.

Ci160CSds



Architectural Speaker

Mechanical Diagrams



Dimensions in mm (inches)

KEF reserves the right, in line with continuing research and development, to amend or change specifications. E&OE.